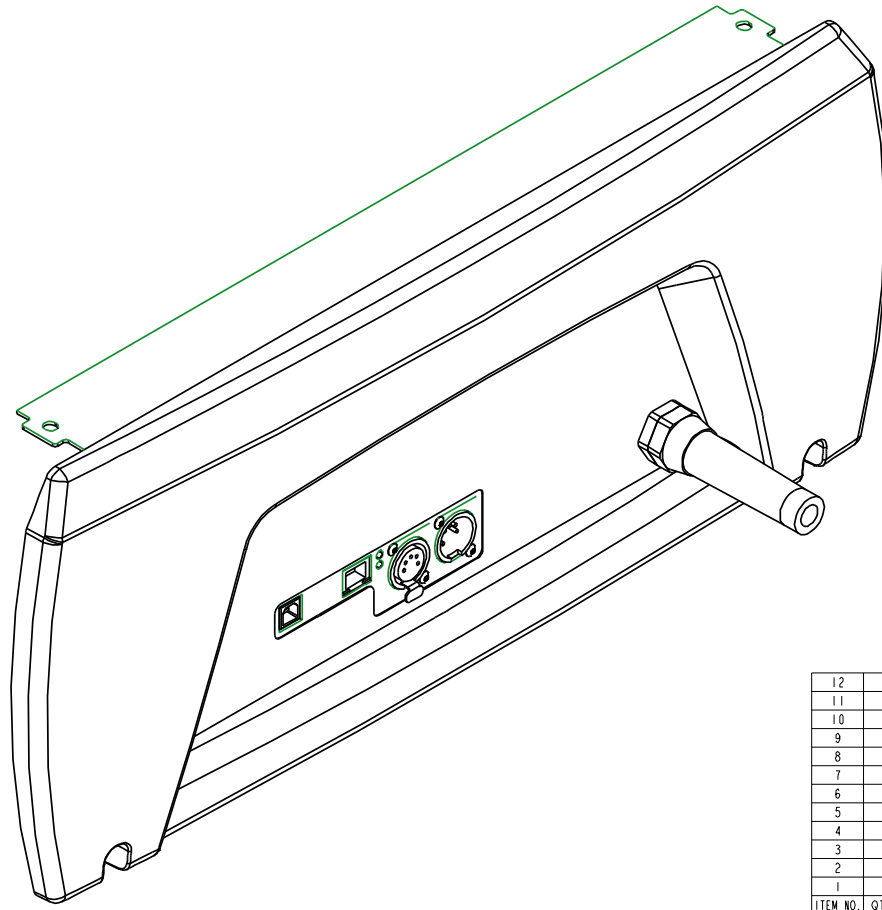


TZA034

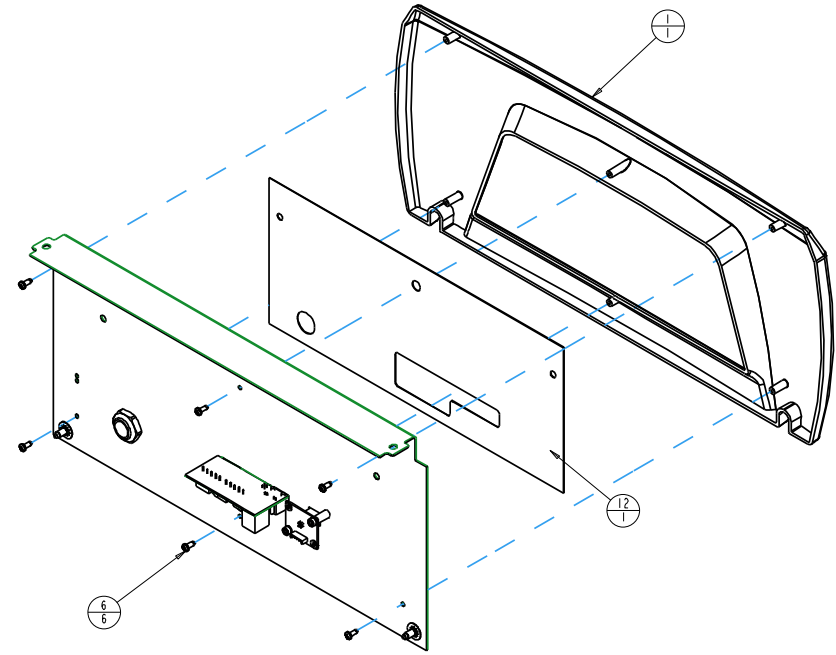
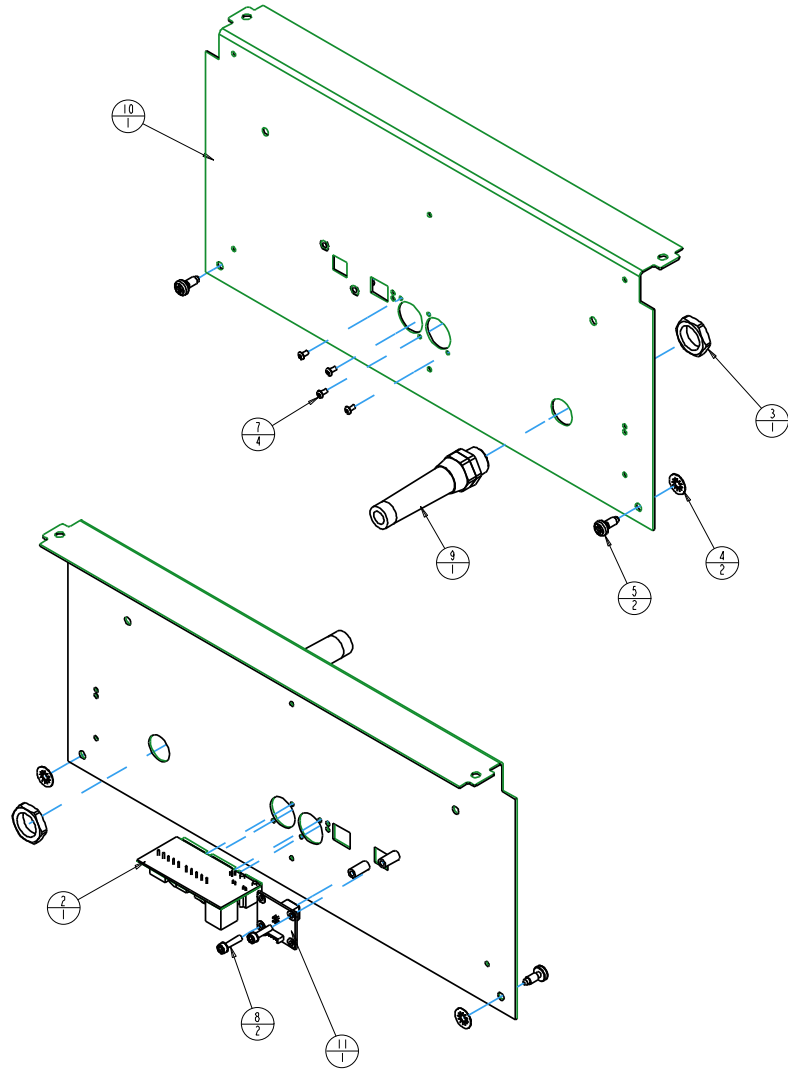
REV.	DESCRIPTION	DATE	ENG	ECO #	APPR
1	CREATE DRAWING	16NOV07	M BELL		
2	ITEM 10 TO REV 2. UPDATE DRAWING VIEW AND BOM BALLOONS	09JAN08	PP		MB
3	UPDATE SYMIX NUMBER ON ITEM 1	14MAR08	PP		MB
4	CHANGE ITEM 8 FROM 91000408 TO 91000416	29MAY08	PP		MB



12	1	TZ451	99310475	A	LABEL, REAR PANEL, MEA4
11	1	TZ432	80030090EF	1.0	BOARD, 10 USB B ASSY
10	1	TZ116	80070506	-	PANEL, REAR, I/O MEA4
9	1	STRAIN_RELIEF	90414008	-	STRAIN RELIEF, POWERGRIP BLK CL/CX
8	2	SCREW.M4ACT16W-BZ	91000416	-	SCREW, M4 SOCKET CAP 16 BZ SEMS
7	4	SCREW.M3AB06BZP	91010306	-	SCREW, M3 BUTTON SOCKET HD 06 BZ W/PATCH
6	6	SCREW.6-19PP380BTYPE-BZ	90709117	-	SCREW, 6-19 PHIL PAN PLASTITE 3/8 BZ
5	2	SCREW-CAPTIVE230PP611LG	90712007	-	SCREW, CAPTIVE PHIL .23 OD X .611 LG CR
4	2	RETAINER, CAPTIVE, SS	90701362	-	RETAINER, CAPTIVE, SS, MED
3	1	NUTS00NPT, NYLON	90703030	-	NUT, 1/2 NPT STRAIN RELIEF CYBER, CX
2	1	FS707	80030049EF	1.0	BOARD, ASSY CONNECTOR X-SPOT/SG
1	1	DB200	CHARTED	B	BEZEL, TOP BOX, DL2
ITEM NO.	QTY.	FILENAME	PART NO.	REV	DESCRIPTION

UNLESS OTHERWISE SPECIFIED		RELEASE DATE:	CE:	High End	
DIMENSIONAL TOLERANCES:		ENG:	QA:	2105 GRACY FARMS LANE	
0 PLACE DECIMAL = ±0.38		ME:		AUSTIN, TEXAS 78158	
1 PLACE DECIMAL = ±0.25		MEG:	DRW: M BELL	(512) 836-2242	
2 PLACE DECIMALS = ±0.13		DESCRIPTION:		FAK (512) 832-4128	
ANGLES = ±0.5°		PANEL ASSEMBLY, I/O, ELECTRONIC ENCLOSURE, MEA4		http://www.highend.com	
FOR PAINTED PARTS REFER TO		MATERIAL:		FINISH:	
ENG. SPEC. MANUAL W1-0592		CHARTED		N/A	
ALL COMPONENTS, MATERIALS AND FINISHES TO BE RoHS COMPLIANT		INTERPRET DIMENSIONS PER ASME Y14.5M-1994 THIRD ANGLE PROJECTION		PART NO. DRAWING NO. REV.	
MIN. DRAFT		SI METRIC A1	INTERNAL TZA034		4
MIN. RADI		DIMENSIONS ARE IN MILLIMETERS		DO NOT SCALE	SCALE: 0.333
FLATNESS				SHEET: 1 OF 2	
THICKNESS					
VOLUME					

**PROPRIETARY NOTICE:**  
 THIS DOCUMENT CONTAINS CONFIDENTIAL AND PROPRIETARY INFORMATION OF HIGH END SYSTEMS INC., (ALSO DBA LIGHTWAVE RESEARCH) AND IS GIVEN TO THE RECEIVER IN CONFIDENCE. THE RECEIVER ACCEPTS AND AGREES THAT, EXCEPT AS AUTHORIZED BY HIGH END SYSTEMS, THE RECEIVER WILL NOT PERMIT THE USE OF THE DOCUMENT OR ANY COPY THEREOF OR THE INFORMATION THEREIN, WILL NOT COPY OR PERMIT COPYING THE DOCUMENT WILL NOT DISCLOSE TO OTHERS EITHER THE DOCUMENT OR THE INFORMATION THEREIN, AND WILL UPON COMPLETION OF THE NEED TO RETURN THE DOCUMENT, OR UPON DEMAND, RETURN THE DOCUMENT WITHOUT RETAINING ANY OF THE INFORMATION CONTAINED THEREIN IN ANY FORM WHATSOEVER.



**PROPRIETARY NOTICE:**  
 THIS DOCUMENT CONTAINS CONFIDENTIAL AND PROPRIETARY INFORMATION OF HIGH END SYSTEMS INC., (ALSO DBA LIGHTWAVE RESEARCH) AND IS GIVEN TO THE RECEIVER IN CONFIDENCE. THE RECEIVER ACCEPTS AND AGREES THAT, EXCEPT AS AUTHORIZED BY HIGH END SYSTEMS, THE RECEIVER WILL NOT PERMIT THE USE OF THE DOCUMENT OR ANY COPY THEREOF OR THE INFORMATION THEREIN, WILL NOT COPY OR PERMIT COPYING THE DOCUMENT OR THE INFORMATION THEREIN, AND WILL UPON COMPLETION OF THE NEED TO RETAIN THE DOCUMENT, OR UPON DEMAND, RETURN THE DOCUMENT WITHOUT RETAINING ANY OF THE INFORMATION CONTAINED THEREIN IN ANY FORM WHATSOEVER.

UNLESS OTHERWISE SPECIFIED	RELEASE DATE:	CE:	High End	2105 GRACY FARMS LANE	
DIMENSIONAL TOLERANCES:	ENG:	QA:		AUSTIN, TEXAS 78158	
0 PLACE DECIMAL = ±0.38	ME:	DRW: M. BELL		(512) 836-2242	
1 PLACE DECIMAL = ±0.25	MEG:			FAK (512) 832-4128	
2 PLACE DECIMALS = ±0.13	DESCRIPTION:			***** <a href="http://www.highend.com">http://www.highend.com</a>	
ANGLES = ±0.5°	PANEL ASSEMBLY, I/O, ELECTRONIC ENCLOSURE, ME4				
FOR PAINTED PARTS REFER TO	MATERIAL:	FINISH:			
ENG. SPEC. MANUAL WI-0592	CHARTED	N/A			
ALL COMPONENTS, MATERIALS AND	INTERPRET DIMENSIONS PER	PART NO.	INTERNAL	DRAWING NO.	
FINISHES TO BE RoHS COMPLIANT	ASME Y14.5M-1994	TZA034		4	
	THIRD ANGLE PROJECTION				
	DIMENSIONS ARE IN MILLIMETERS	DO NOT SCALE	SCALE: 0.333	SHEET: 2 OF 2	
MIN. DRAFT					
MIN. RADIUS					
FLATNESS					
THICKNESS					
VOLUME					